

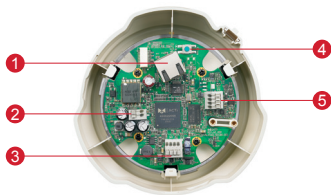
# ACM-3511

Megapixel IP IR D/N PoE Fixed Dome with Vari-focal Lens



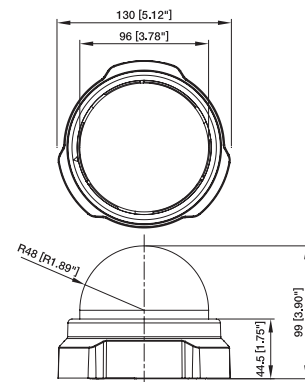
- 1/3" Aptina Progressive Scan CMOS
- Day and night function with mechanical IR cut filter
- Minimum illumination 0 lux with IR LED on
- Built-in f3.3 ~ 12 mm / F1.6 Megapixel vari-focal lens
- 8 fps at 1280 x 1024 resolution
- Selectable MPEG-4 SP, MJPEG compressions
- Two-way audio
- Video motion detection
- Powered by PoE Class 3 / DC 12V

## PHOTO INDICATION



- 1 Ethernet port
- 2 DC 12V Power Input
- 3 Audio Input / Output
- 4 Reset button
- 5 Digital Input / Output

## DIMENSION DIAGRAM



Unit: mm [inch]

## ACCESSORY OPTIONS

| Dome Cover |  |                                 |
|------------|--|---------------------------------|
| PDCX-0100  |  | 3-inch, smoke, non-vandal proof |

| Popular Mounting Solutions |   |  |
|----------------------------|---|--|
| Surface                    | Accessories not required                |  |
| Wall                       | PMAX-0308<br>                           |  |
| Pendant                    | PMAX-0101<br>PMAX-0103<br>              |  |
| Corner                     | PMAX-0101<br>PMAX-0303<br>PMAX-0402<br> |  |
| Pole                       | PMAX-0101<br>PMAX-0303<br>PMAX-0502<br> |  |
| Flush                      | PMAX-1006<br>                           |  |

\* For more mounting solutions, please refer to Mounting Accessory section of Buyer's Guide or Project Planner on [www.acti.com](http://www.acti.com)

# ACM-3511

## PRODUCT SPECIFICATION

### ACM-3511

#### • Device

|                          |   |
|--------------------------|---|
| Device Type              | Fixed Dome Camera   |
| Image Sensor             | Aptina Progressive Scan CMOS  |
| Sensor Size              | 1/3" (4.8 x 3.6 mm)   |
| Day / Night              | Yes   |
| Minimum Illumination     | Color: 0.5 lux at F1.0 (30 IRE, 2400°K); B/W: 0 lux (IR LED on)   |
| Color to B/W switch      | CDS sensor based switch   |
| Mechanical IR Cut Filter | Yes   |
| IR Sensitivity Range     | 700 - 1100 nm   |
| IR LED                   | IR LED x 24 (850 nm)  |
| IR Working Distance      | 30 m (0 lux, 30 IRE, Max Exposure Gain)   |
| Electronic Shutter       | 1/30 - 1/1,000 sec (60Hz); 1/25 - 1/1,000 sec (50Hz) (manual mode)<br>1/5 - 1/15,000 sec (50Hz) (auto mode) |

#### • Lens

|                          |                                 |
|--------------------------|---------------------------------|
| Focal Length             | Vari-focal, f3.3 - 12 mm / F1.6 |
| Iris                     | Fixed iris                      |
| Focus                    | Manual focus                    |
| Horizontal Viewing Angle | 75.4° - 22.7°                   |
| Viewing Angle Adjustment | Pan: 0° - 330°; Tilt: 30° - 90° |

#### • Video

|                                   |   |
|-----------------------------------|---|
| Compression                       | MPEG-4 SP, MJPEG  |
| Maximum Frame Rate vs. Resolution | 8 fps at 1280 x 1024 (SXGA); 10 fps at 1280 x 720 (HD 720p); 30 fps at 640 x 480 (VGA);<br>30 fps at 320 x 240 (QVGA); 30 fps at 160 x 112 (QQVGA)  |
| Multi-Streaming                   | Multiple streams based on single configuration  |
| Bit Rate                          | 28 Kbps - 3 Mbps (per stream)   |
| Bit Rate Mode                     | Constant, Variable  |
| S/N Ratio                         | More than 44 dB   |
| Image Enhancement                 | White balance: automatic, hold, predefined and manual; Brightness; Saturation; Contrast; Sharpness;<br>Automatic gain control; Auto exposure: automatic, predefined and manual; Flickerless |
| Privacy Mask                      | 1 configurable region   |
| Text Overlay                      | User defined text on video  |
| Image Orientation                 | Image flip and mirror   |

#### • Audio

|             |                                   |
|-------------|-----------------------------------|
| Compression | 8 kHz, Mono, PCM, 16 bit encoding |
| Audio-In    | Terminal block                    |
| Audio-Out   | Terminal block                    |

#### • Network

|                    |   |
|--------------------|---|
| Protocol & Service | TCP, UDP, HTTP, HTTPS, DHCP, PPPoE, RTP, RTSP, DNS, DDNS, NTP, ICMP, ARP, IGMP, SMTP, FTP,<br>UPnP, SNMP, Bonjour |
| Ethernet Port      | 1, Ethernet (10/100 Base-T), RJ-45 connector  |
| Security           | IP address filtering; HTTPS encryption; Password protected user levels; IEEE 802.1X network access control        |

#### • Alarm

|                |  |
|----------------|--|
| Alarm Trigger  | Video motion detection (3 regions); External device through digital input  |
| Alarm Response | Notify control center; Change camera settings; Command other devices; E-mail notification with snapshots;<br>Upload video, snapshot to FTP server; Activate external device through digital output |

#### • Interface

|                |                   |
|----------------|-------------------|
| Digital Input  | 1, terminal block |
| Digital Output | 1, terminal block |

#### • General

|                            |  |
|----------------------------|--|
| Power Source / Consumption | PoE Class 3 (IEEE802.3af) / 6.8 W (IR on)<br>DC 12 V / 5.0 W (IR on) |
| Weight                     | 380 g (0.84 lb)  |
| Dimensions (Ø x H)         | 130 mm x 99 mm (5.12" x 3.90")                                       |
| Mount Type                 | Surface, Pendant, Wall, Corner, Pole, Flush                          |
| Operating Temperature      | -10 °C ~ 50 °C (14 °F ~ 122 °F)                                      |
| Operating Humidity         | 10% ~ 85% RH   |
| Approvals                  | Camera: CE, FCC; Adapter: CE, TUV-GS, UL, RCM, CCC                   |

#### • Integration

|                         |  |
|-------------------------|--|
| Unified Solution        | Fully compatible with ACTi software      |
| ISV Integration         | Software Development Kit (SDK) available |
| Firmware Access Browser | Microsoft Internet Explorer 6.0 or newer |

\* All specifications are subject to change without notice.

\* All brand names and registered trademarks are the property of their respective owners.

[www.acti.com](http://www.acti.com)

